

TRAC 12® LED LIGHTING



Juno®

Energy efficient,
long life and
cool operation





The Energy and Maintenance Miser



Extremely low energy consumption, remarkably long life, minimal heat generation, uniform illumination... Juno Trac 12 low power LEDs represent a true breakthrough in linear lighting technology. The TL201LED consumes less than 15% of the power of conventional 5-watt low voltage xenon lamps, and the 50,000-hour service life yields over 10 years of maintenance-free operation when operating 12 hours per day. The performance is simply brilliant!

- Unprecedented energy savings – 0.6 watt LED is equivalent to 5-watt xenon using less than 15% of the energy.
- Exceptional service life – TL201LEDs will not burn out. At 50,000 hours they retain 70% of initial lumens.
- Cool operation – Virtually no forward projected heat.
- No UV – Will not fade objects sensitive to ultraviolet radiation.
- Wide, uniform light distribution – Places more lumens in useful zone as compared to xenon lamps.
- Compatible with standard Trac 12 system components and 12-volt 75-watt magnetic transformer – Run lengths up to 37 feet with modules 3 inches on center.
- Available in warm 3000K or high-efficiency, cooler 5000K color temperature with 80 CRI.
- Dimmable – Full dimming range using conventional incandescent dimmers*.

* See specification sheet for list of Juno qualified dimmers.



The TL201LED is the ideal cove lighting solution. It features long life, low heat and is virtually maintenance free. Trac 12 low power LED lighting cuts energy consumption by an incredible 85% compared to its xenon equivalent. A single transformer can operate trac runs three times longer than traditional low voltage lighting reducing transformer and installation costs. Wide, shadow-free light distribution eliminates hot spots and socket shadows.

Warm or Cool Color Temperatures

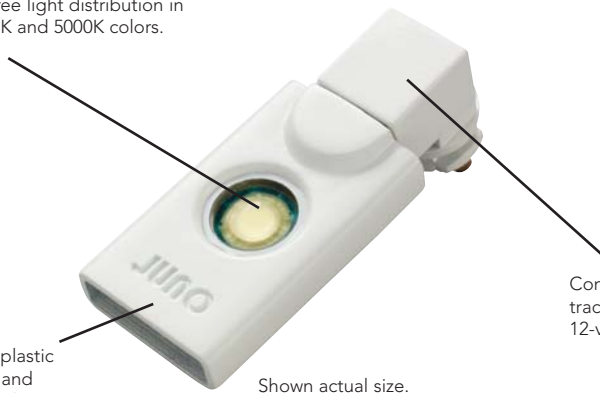
Trac 12 low power LED modules are available in either a warm 3000K or cool 5000K color, the latter producing almost 50% more light using the same amount of energy.

Display and Shelf Lighting



High-efficiency, long life LED with uniform 120-degree light distribution in 3000K and 5000K colors.

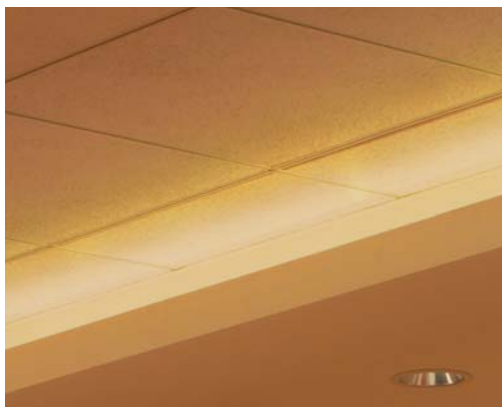
Extended service life and cool, UV-free operation make Trac 12 low power LED lighting the perfect answer for illuminating retail merchandise or collectibles in shelving and casework displays.



Engineered thermoplastic enclosure insulates and protects circuit board. Available in white or black finish.

Compatible with Trac 12 trac systems and 75-watt 12-volt AC transformer.

Shown actual size.



3000K



5000K

Juno® Undercabinet Lighting



The TL201LED mounted on Trac 12 maintains a slim 1" profile and neatly tucks behind the front lip of cabinets to produce uniform task and accent lighting. The low power LED produces minimal heat and provides cool, easy to conceal, maintenance-free undercabinet lighting incorporating all of the installation flexibility of the Trac 12 system.





Juno Trac 12 LED modules are a versatile task lighting performer. From reception counters to hospital nursing stations, TL201LEDs are cool, maintenance free, and easy to conceal.

LED vs. Xenon

TL201LEDs consume less than one-sixth the energy, last over twice as long, and require only a third the number of transformers vs. a typical xenon application. And in the all-important category of "Total Annual Energy Cost," LEDs provide big savings of more than 85%.



LED vs. Xenon



TL201LED 3000K/5000K	Fixture/Lamp Data (@12-Volts)	TL201+TL901
0.6	Watts	4.3
16/24	Lumens	22
27/40	Efficacy (lumens/watt)	5
3000K/5000K	Color Temperature	2800K
50,000	Life (Hours)	20,000
37.5'	Maximum run length (per transformer, 3" OC)	14'
	Economic Comparison for 36' Cove	
150	# of fixtures (3" OC lamp spacing)	150
1	# of 12V Transformer Runs	3
75	Total Wattage	645
2.1	Watts per Foot	17.9
\$39.42	Total Annual Energy Cost*	\$339.00
\$299.58	Annual Energy Savings*	

*12 hours, per day @ \$.12 per kilowatt hour.

Ordering Information

Trac 12 Low Power LED Module



Miniature LED light module replicates the light output and distribution of 5-watt xenon lamps. Ideal for linear lighting applications including cove, undercabinet, undershelf, task and casework display lighting.

FINISHES: WHITE (WH) BLACK (BL)

CATALOG #	WATTAGE/COLOR TEMPERATURE	LUMENS	DIMENSIONS
TL201LED-3K	0.6 Watts/3000K	16	
TL201LED-5K	0.6 Watts/5000K	24	

Trac 12 Trac Sections



Includes trac, one end-feed connector (TL38), dead end and mounting hardware. End-feed connector converts to a straight connector when joining multiple trac sections. Note: When joining trac sections, overall length is 1-7/16" shorter than individual trac section lengths.

FINISHES: WHITE (WH) BLACK (BL)

CATALOG #	DESCRIPTION	DIMENSIONS
TL2	2' Trac Section (actual length 20-5/8")	
TL4	4' Trac Section (actual length 44-5/8")	
TL6	6' Trac Section (actual length 68-5/8")	
TL8	8' Trac Section (actual length 92-5/8")	

Electrical Feed



Allows trac to be fed via remote transformer with conduit through the end or top using standard electrical connectors. Includes, mounting plate, surface conduit adapter and cover.

FINISHES: WHITE (WH) BLACK (BL)

CATALOG #	DESCRIPTION	DIMENSIONS
TL34	End Feed Connector and Conduit Feed	

Joiner Connectors



Right Angle Joiner

Joins two trac sections to form a 90-degree corner. Includes one terminal block connector with cover and joiner wires.

FINISHES: WHITE (WH) BLACK (BL)

CATALOG #	DESCRIPTION	DIMENSIONS
TL24	Right Angle Joiner	



Adjustable Joiner

Joins two trac sections at variable angles to left, right, up or down. Includes one terminal block connector with cover and 4" flexible joiner cable.

FINISHES: WHITE (WH) BLACK (BL)

CATALOG #	DESCRIPTION	DIMENSIONS
TL20	Adjustable Joiner	



Straight Joiner/End Feed Connector with Dead End

For use with field cut-off trac sections. Includes terminal block connector with cover and dead end. Terminal block connector also serves as a straight joiner to join two trac sections.

FINISHES: WHITE (WH) BLACK (BL)

CATALOG #	DESCRIPTION	DIMENSIONS
TL38	Straight Joiner/End Feed Connector	

Magnetic Transformer

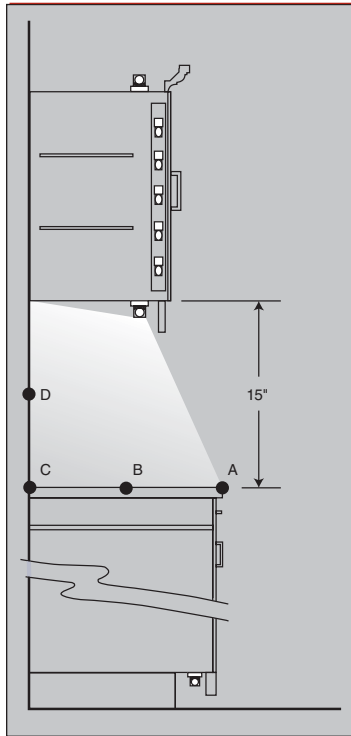
The Trac 12 remote mount magnetic transformer is designed to be installed in remote locations such as basements, attics, plenums and electrical closets. The location must be accessible and well ventilated with ambient temperatures below 140-degrees Fahrenheit. The transformer is designed for 120-volt input, and has a resettable circuit breaker, dual-tap standard/boost tap primary input leads to adjust for voltage drop and may be dimmed using incandescent dimmers qualified by Juno for use with a non-resistive LED load. See TL201LED specification sheet for a list of qualified dimmers.



CATALOG #	OUTPUT VOLTAGE	TOTAL WATTAGE	NUMBER OF CIRCUITS/ WATTAGE PER CIRCUIT	RECOMMENDED WATTAGE RANGE PER CIRCUIT	DIMENSIONS
TL575BL	12V	75 Watts	1/75 Watts	0.5-75 Watts	10-3/4"H x 4-3/8"W x 4-1/8"D (Includes mounting tabs)



Cabinetry Lighting Guidelines



Over Cabinets Trac 12 using TL201LEDs spaced 3" on-center generally provides excellent indirect lighting. For lower-level mood lighting use wider lamp spacing. Placing the fixture at the front edge of the cabinet top will project light into the space and illuminate any displayed objects. Locate top of lamp even with top edge of cove molding to prevent a harsh shadow line.

Inside Cabinets Running Trac 12 vertically on the front inside of cabinets avoids the need to put trac on each shelf. TL201LEDs placed 4" - 6" on-center generally provide adequate lighting inside a cabinet.

Under Cabinets Placing Juno Trac 12 at the front lip of the cabinet conceals the fixture from view, minimizes veiling reflections, and provides maximum light on the working area of the countertop.

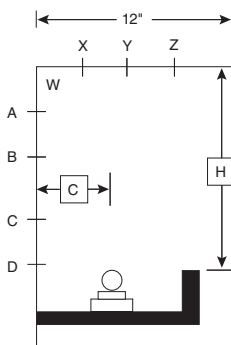
Footcandles on Horizontal Work Surface

CATALOG #	COLOR TEMP	O.C. SPACING	FOOTCANDLES*			
			A	B	C	D
TL201LED-3K	3000K	3"	11	29	18	12
TL201LED-5K	5000K	3"	16	42	26	18

Kick Spaces TL201LEDs spaced on 4" centers provide adequate kick space lighting. Wider spacings can be used when the distance from trac to floor is greater than 4" or when even illumination is not required.

NOTE: Shiny flooring may cause lamp image reflections.

Cove Lighting



Footcandles on Vertical and Horizontal Planes 3000K/5000K*

LAMP SPACING	O.C. LAMP SPACING	COVE HEIGHT [H]	FOOTCANDLES ON VERT. PLANE (WALL)				FOOTCANDLES ON HORIZ. PLANE (CEILING)			
			FROM WALL [C]	A	B	C	D	W	X	Y
3"	3"	6"	50/73	58/85	59/87	21/31	80/117	59/87	34/50	22/32
3"	3"	9"	31/45	40/59	53/78	16/23	56/82	47/68	33/48	21/31
3"	3"	12"	21/30	27/40	44/65	14/20	42/61	37/54	28/42	20/30
4"	4"	6"	37/55	38/56	33/48	14/20	58/85	50/74	30/44	18/26
4"	4"	9"	25/37	30/44	31/45	10/14	42/61	37/55	27/39	17/25
4"	4"	12"	17/25	22/33	29/42	7/11	32/46	29/42	23/34	16/23

Lumens per Foot*

	LAMP SPACING			
	2-1/4"	3"	4"	6"
TL201LED-3K (3000K)	80	64	48	32
TL201LED-5K (5000K)	120	96	72	48

* Data shown is at 12-volts. For operation at 11.5 volts multiply by 0.9.

** Based on transformer capacity and 20% max light output decrease between first and last fixture on trac due to voltage drop.

Maximum Trac Run Length**

	LAMP SPACING			
	2-1/4"	3"	4"	6"
TL575BL 75-Watt Magnetic Transformer	28'	37.5'	50'	75'



juno[®]
Recessed and Trac Lighting

indy[™]
Architectural Recessed Lighting

Alfa
Decorative Lighting Systems

AccuLite[™]
Commercial and Industrial Lighting

Elate[®]
Commercial Recessed Lighting

AcuLux[™]
Precision Recessed Lighting

Navilite[®]
Exit and Emergency Lighting

DanaLite
Architectural Linear Lighting

1300 S. Wolf Road • P.O. Box 5065 • Des Plaines, IL 60017-5065
PHONE 847.827.9880 • FAX 847.827.2457 • junolightinggroup.com

Regional Offices & Warehouses:
California, Georgia, Illinois, Indiana, New Jersey, Texas, Ontario CN



Mixed Sources
Product group from well-managed
forests, controlled sources and
recycled wood or fiber
Cert no. SW-COC-002566
www.fsc.org
© 1996 Forest Stewardship Council

Specifications subject to change without notice.
© 2007 JUNO LIGHTING INC. ALL RIGHTS RESERVED.
Printed in the U.S.A. LIT-JUNO-TRAC12LED 11/07